

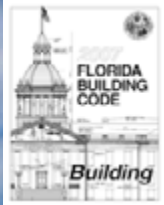
# MAXIM

HURRICANE RESISTANT  
SKYLIGHTS



TEXAS DEPARTMENT OF INSURANCE

MIAMI-DADE COUNTY  
APPROVED



## Hurricane & Impact Resistant Skylights

Polycarbonate Domes & Laminated Insulated Glass

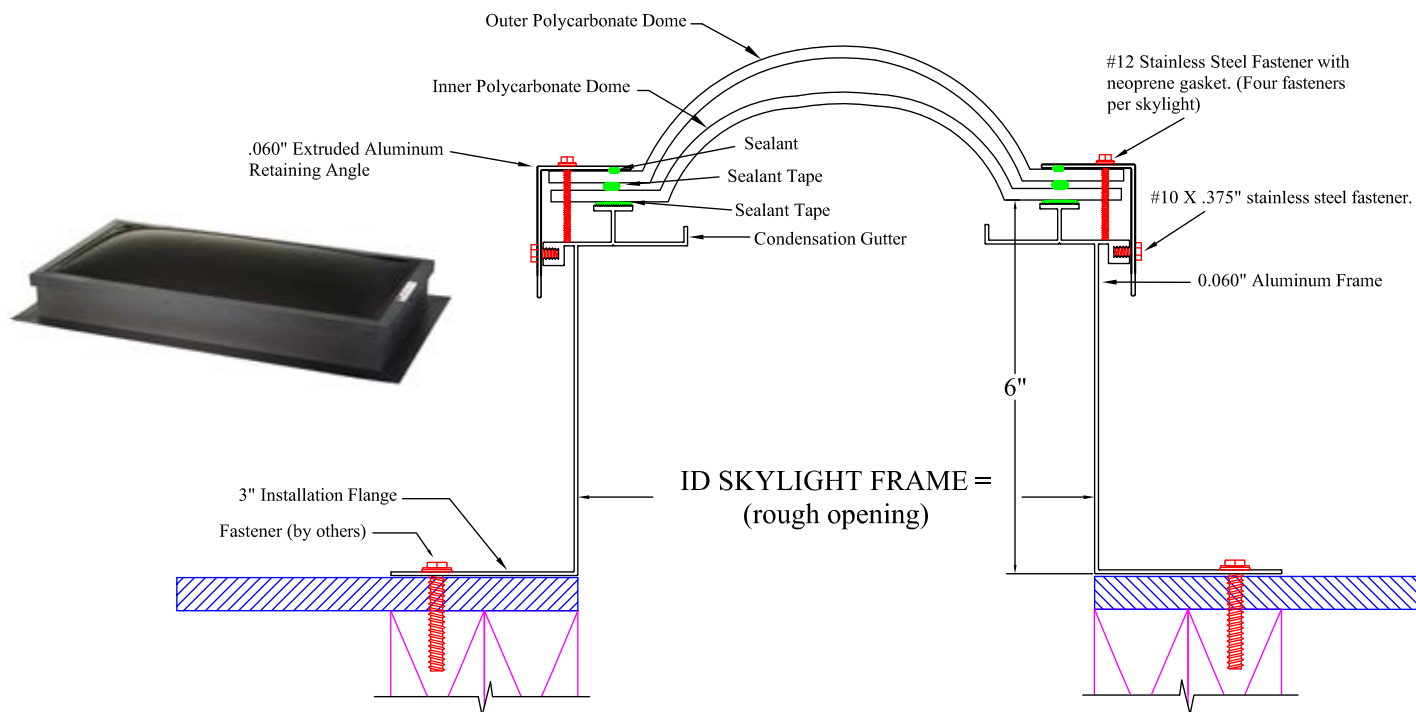


**The Skylight of Choice** Maxim specializes in the manufacturing of hurricane, wind and impact resistant skylights that are Dade County Approved, comply with ALL wind zones, including the HVHZ, of the Florida Building Code and satisfy the Texas Department of Insurance's criteria for protection from windborne debris in both the Inland I and Inland II and the Seaward zones. With design pressures that exceed the strictest coastal codes of 150mph winds, Maxim has proven to be the skylight of choice for unlimited commercial and residential projects.

### SELF FLASHING SKYLIGHT

Features a one piece design for quick and easy installation directly to the roof deck. Use on pitched roofs with any high profile roofing material: concrete, clay, metal, composite or shingles.

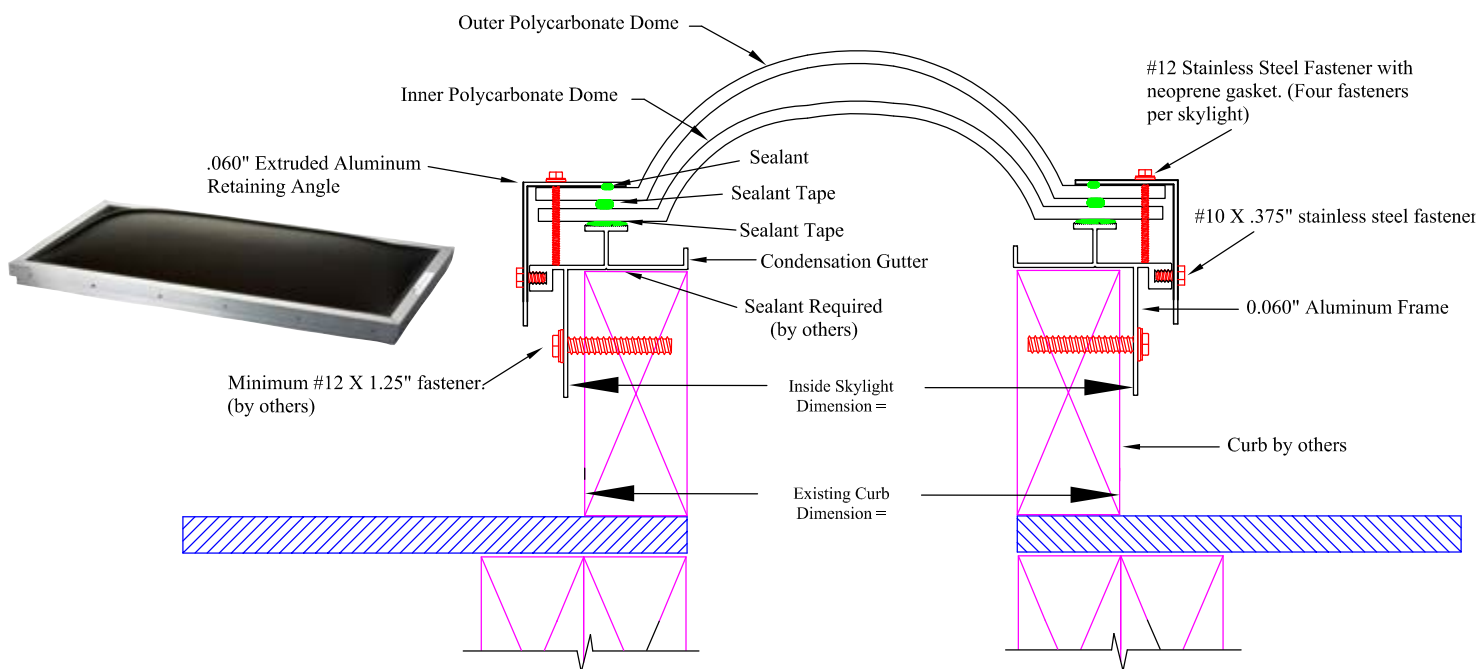
See back cover for unlimited sizes, glazing and finish options.



### CURB MOUNT SKYLIGHT

Features a one piece design for quick and easy installation on a site built curb. Use on pitched or flat roof.

See back cover for unlimited sizes, glazing and finish options.

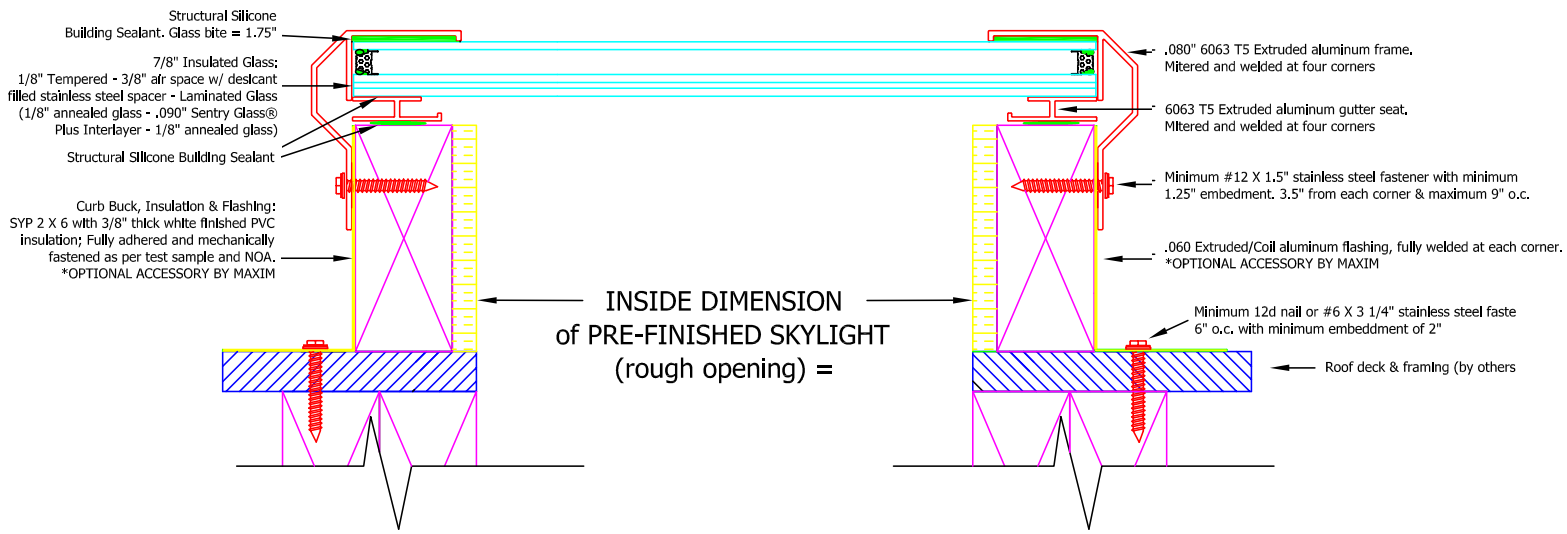




*Impact, wind and hail resistance, PLUS unmatched energy efficiency your customers demand!*

**IMPACT RESISTANT INSULATED GLASS SKYLIGHT (SHGC: 0.27 / U-FACTOR: 0.24 / LIGHT TRANS: 66%)**

Maxim Skylights has pushed the limits once again with our impact resistant insulated glass skylight. With DuPont™ SentryGlas® Plus and Cardinal LoE366® with Argon Gas as our standard offering, now impact protection and thermal energy efficiency are available together. Approved by the State of Florida, Miami Dade County and the State of Texas, our hurricane, wind and hail resistant insulated glass skylight is the largest available, up to 25 square feet, and is offered in standard and custom sizes for any new or retrofit application.



## LIGHT TRANSMISSION & GLAZING PERFORMANCE

### Sheffield Makrolon® Polycarbonate Dome

Finish	Light Trans	Solar Trans	U sum	U win	Shading Coefficient
Clear/Bronze (CB)	25%	60%	.90	.97	0.7 (ASHRAE)
Clear/Clear (CC)	74%	89%	.90	.97	1.02 (ASHRAE)
Clear/Gray (CG)	43%	60%	.90	.97	0.7 (ASHRAE)
Bronze/Bronze (BB)	07%	36%	.90	.97	0.49 (ASHRAE)
Clear/White (CW)	23%	40%	.90	.97	0.71 (ASHRAE)



### Insulated Glass Performance

Finish	SHGC	Winter U-Factor	Fading Trans	Light Trans
LoE366 (Low E Cubed)/Argon Gas:	0.27	0.24	0.43	66%
Bronze Tint/ Argon Gas:	0.63	0.31	0.52	61%
Gray Tint/ Argon Gas:	0.63	0.31	0.52	61%

## FRAME FINISHES



Mill Finish



White Powdercoat



Bronze Anodized



Custom Color Powdercoat



Custom Color Powdercoat

## FEATURES

- Approvals include multiple Miami-Dade County Product Control NOA's; Florida Building Commission, FBC 2418-R3 (2010); Texas Department of Insurance, TDI Report(s) SK-13 & SK-18
- All Maxim Skylights are tested and conform to AAMA/WDMA/CSA 101/I.S.2/A440-05 and all, or part, of the following standards: ASTM E283, ASTM E330, ASTM E331, ASTM E547, ASTM E1886, Missile Level C as specified in ASTM E1996-99, TAS 201-94, TAS 202-94, TAS 203-94, and ASTM E1300-02/03.
- All Maxim Skylights are third party certified to performance compliance and quality assurance by the National Accreditation Management Institute (NAMI).

GLASS

- Available in any size or shape up to 25 square feet, the largest impact resistant insulated glass skylight available.
- Insulated Glass for maximum energy efficiency available as Tempered, Laminated and DuPont™ SentryGlas® Plus Impact resistant.
- Unlimited configurations to meet any conditions.
- Optional curb assembly w/ prefinished white interior, solid wood curb and aluminum counterflashing.
- Insulated glass is tested to **-200psf negative pressure for a +/-100psf Design Pressure.**
- All Maxim insulated glass comes with XL Edge® technology providing the lowest failure rate in the industry. Developed in part from our suppliers 45 years of experience in manufacturing dual-seal silicone insulated glass.
- Mill Finish, Bronze Anodized, Clear Anodized or an unlimited number of powdercoat colors are also available.
- All insulated glass is covered by the manufacturer for 20 years

DOMES

- Curb Mount available up to 36 square feet & Self Flashing up to 32 square feet in any size or shape.
- Polycarbonate domes are tested to **-120psf & +180psf for a +/-60psf Design Pressure.**
- Sheffield Plastics Makrolon® SL UV enhanced polycarbonate outer domes for the ultimate in ultraviolet light protection.
- Virtually unbreakable polycarbonate domes meet large & small missile impact rating.
- Sealed double domes prevent moisture from occurring between the domes.
- Polycarbonate glazing meets UL 972 forced entry protection.
- Stainless steel fasteners eliminate rust and corrosion.

\*Any type of cleaning performed on the roof, including removal of mold, mildew, fungus, or dirt, by pressure of any kind with water or chemical means will damage polycarbonate domes and void any warranty. A detailed insulated glass warranty is available upon request. **WARNING: SKYLIGHTS MAY NOT SUPPORT LIVE LOADS!** While these skylights have passed testing for large and small missile impact resistance, 1000 ft/lbs fall protection resistance and up to 200psf. positive pressure testing, they are not intended for any live load! Do not stand, sit, lean, or rest on any part of the skylight.

Corporate  
1630 Terre Colony Court • Dallas, Texas 75212.6221  
Toll Free 888-222-4898 • Fax 214-905-2024

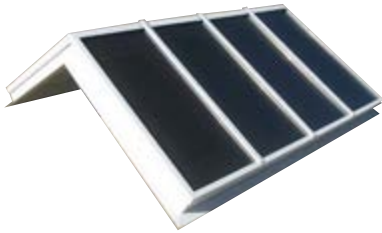
Florida  
1818 7<sup>th</sup> Avenue North, Suite 2 • Lake Worth, Florida 33461  
Toll Free 800-367-8168 • Fax 561-588-9283

# CUSTOM SKYLIGHTS & ROOF SYSTEMS

## Tandem Skylights



## Ridge Mount Skylights



## Roof Systems of All Types



Time Gray area runs on

# This gray area trims off

Model	Rough Opening (UD Skylight)
1414	14 1/4" X 14 1/4"
2121	21" X 21"
2222	22 1/4" X 22 1/4"
3030	30 1/4" X 30 1/4"
3333	33" X 33"
3737	37" X 37"
4040	40" X 40"
4646	46 1/4" X 46 1/4"
5050	50" X 50"
5555	55" X 55"
5757	57" X 57"
6060	60" X 60"
6969	69" X 69"
1422	14 1/4" X 22 1/4"
1446	14 1/4" X 46 1/4"
1457	14 1/4" X 57"
2133	21" X 33"
2145	21" X 45"
2157	21" X 57"
2169	21" X 69"
2193	21" X 93"
2230	22 1/4" X 30 1/4"
2237	22 1/4" X 37"
2246	22 1/4" X 46 1/4"
2257	22 1/4" X 57"
2270	22 1/4" X 70 1/4"
2296	22 1/4" X 96"
2636	26" X 36"
2648	26" X 48"
2660	26" X 60"
2672	26" X 72"
2696	26" X 96"
3046	30 1/4" X 46 1/4"
3057	30 1/4" X 57"
3069	30 1/4" X 69"
3096	30 1/4" X 96"
3345	33" X 45"
3357	33" X 57"
3369	33" X 69"
3393	33" X 93"
3748	37" X 48"
3760	37" X 60"
3775	37" X 75"
3793	37" X 93"
4657	46 1/4" X 57"
4669	46 1/4" X 69"
4689	46 1/4" X 89 1/2"
4872	48" X 72"
4896	48" X 96"
5769	57" X 69"

## Self Flashing Skylights

Model	Outside Curb Dimension	Inside Unit Dimension
1414	17 1/4" X 17 1/4"	18" X 18"
2121	24" X 24"	24 3/4" X 24 3/4"
2323	25 3/4" X 25 3/4"	26 1/2" X 26 1/2"
3030	33 1/4" X 33 1/4"	34" X 34"
3333	36" X 36"	36 3/4" X 36 3/4"
3737	40" X 40"	40 3/4" X 40 3/4"
4040	43" X 43"	43 3/4" X 43 3/4"
4747	49 3/4" X 49 3/4"	50 1/2" X 50 1/2"
5050	53" X 53"	53 3/4" X 53 3/4"
5555	58" X 58"	58 3/4" X 58 3/4"
5757	60" X 60"	60 3/4" X 60 3/4"
6060	63" X 63"	63 3/4" X 63 3/4"
6969	72" X 72"	72 3/4" X 72 3/4"
1423	17 1/4" X 25 3/4"	18" X 26 1/2"
1447	17 1/4" X 49 3/4"	18" X 50 1/2"
1457	17 1/4" X 60"	18" X 60 3/4"
2133	24" X 36"	24 3/4" X 36 3/4"
2145	24" X 48"	24 3/4" X 48 3/4"
2157	24" X 60"	24 3/4" X 60 3/4"
2169	24" X 72"	24 3/4" X 72 3/4"
2193	24" X 96"	24 3/4" X 96 3/4"
2330	25 3/4" X 33 1/4"	26 1/2" X 34"
2337	25 3/4" X 40"	26 1/2" X 40 3/4"
2347	25 3/4" X 49 3/4"	26 1/2" X 50 1/2"
2357	25 3/4" X 60"	26 1/2" X 60 3/4"
2370	25 3/4" X 73 1/4"	26 1/2" X 74"
2396	25 3/4" X 99"	26 1/2" X 99 3/4"
2636	29" X 39"	29 3/4" X 39 3/4"
2648	29" X 51"	29 3/4" X 51 3/4"
2660	29" X 63"	29 3/4" X 63 3/4"
2672	29" X 75"	29 3/4" X 75 3/4"
2696	29" X 99"	29 3/4" X 99 3/4"
3047	33 1/4" X 49 3/4"	34" X 50 1/2"
3057	33 1/4" X 60"	34" X 60 3/4"
3069	33 1/4" X 72"	34" X 72 3/4"
3096	33 1/4" X 99"	34" X 99 3/4"
3345	36" X 48"	36 3/4" X 48 3/4"
3357	36" X 60"	36 3/4" X 60 3/4"
3369	36" X 72"	36 3/4" X 72 3/4"
3393	36" X 96"	36 3/4" X 96 3/4"
3748	40" X 51"	40 3/4" X 51 3/4"
3760	40" X 63"	40 3/4" X 63 3/4"
3775	40" X 78"	40 3/4" X 78 3/4"
3793	40" X 96"	40 3/4" X 96 3/4"
4757	50 3/4" X 60"	50 1/2" X 60 3/4"
4769	50 3/4" X 72"	50 1/2" X 72 3/4"
4789	50 3/4" X 92 1/2"	50 1/2" X 93 1/4"
4872	51" X 75"	51 3/4" X 75 3/4"
4896	51" X 99"	51 3/4" X 99 3/4"
5769	60" X 72"	60 3/4" X 72 3/4"

## Curb Mount Skylights